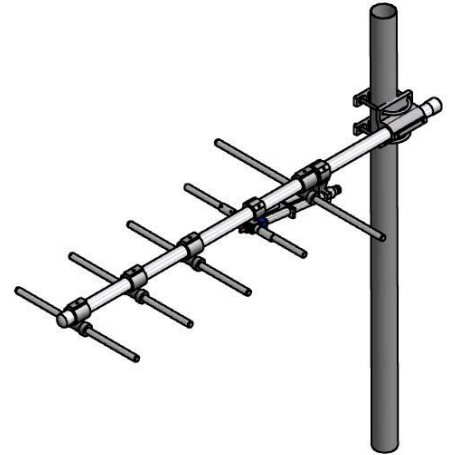


## YAGI-5E

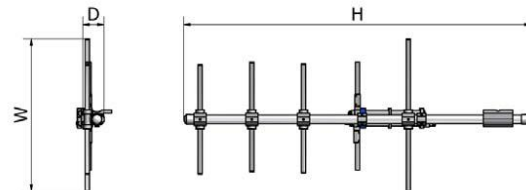
### i. Electrical Specification

Frequency Range	VHF / UHF	
Polarization	Vertical	
Band Width	5 / 20 MHz	
Gain	≥ 9dBi	
Beam width	Horizontal	≥ 60°
	Vertical	≥ 50°
F-B ratio (Horizontal & Vertical)	-	
VSWR	1 : 1.5	
Impedance	50 Ω	
Maximum input power	250 W	

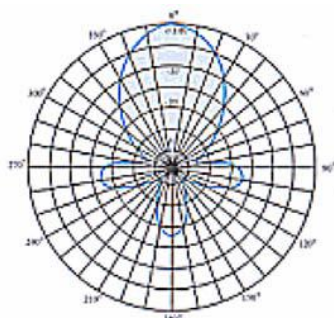


### ii. Mechanical Specification

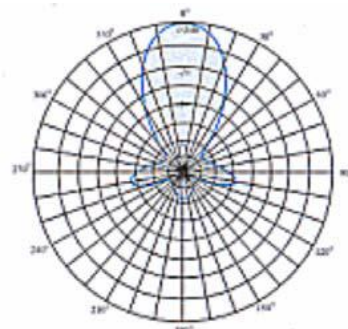
Radom Dimension ( H x W x D )	2000 x 107 x 70mm	
Weight ( Include bracket )	≤ 12 Kg	
Connector Type	N-Female	
Withstand Wind Pressure	60 m/sec	
Radome Material	AL	
Radome Color	-	
Mechanical Down Tilt	-	
	-	
Temperature	-40 °C ~ 70 °C	



### iii. Radiation Pattern



Horizontal Pattern



Vertical Pattern